



LED Downlight HR

Features

- Anti-glare Darklight reflector, UGR < 19
- High lumen efficacy, 100 lm/W
- Optimal heat management
- Broad range of sizes: 2.5", 3", 4", 6" or 8"

Benefits

- Glare free, visually comfortable light for working, living and learning
- Up to 60% energy savings compared to CFL
- Lasts 5 times longer than CFL
- Easily retrofit conventional fixtures with LED

Application

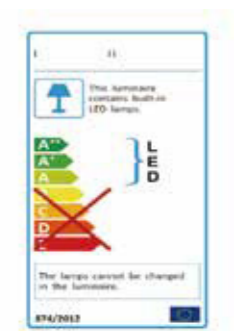


Specification

Order Name	Power (W)	Power Factor	Lumen (lm)	Efficacy (lm/W)	Input Current (mA)	Beam Angle (°)	CRI	UGR	CCT (K)	Lifetime (L70B50)
DL5WW-HR	5	0.70	330	66	30	75	≥80	19	3000	30Khrs
DL5WC-HR	5	0.70	370	74	30	75	≥80	19	4000	30Khrs
DL5WD-HR	5	0.70	400	80	30	75	≥80	19	5700	30Khrs
DL6WW-HR	6	0.70	430	72	40	75	≥80	19	3000	30Khrs
DL6WC-HR	6	0.70	480	80	40	75	≥80	19	4000	30Khrs
DL6WD-HR	6	0.70	520	87	40	75	≥80	19	5700	30Khrs
DL9WW-HR	9	0.95	700	78	48	75	≥80	19	3000	30Khrs
DL9WC-HR	9	0.95	800	89	48	75	≥80	19	4000	30Khrs
DL9WD-HR	9	0.95	850	94	48	75	≥80	19	5700	30Khrs
DL14WW-HR	14	0.95	1100	79	70	80	≥80	19	3000	30Khrs
DL14WC-HR	14	0.95	1200	86	70	80	≥80	19	4000	30Khrs
DL14WD-HR	14	0.95	1400	100	70	80	≥80	19	5700	30Khrs
DL29WW-HR	29	0.95	2300	79	140	80	≥80	19	3000	30Khrs
DL29WC-HR	29	0.95	2500	86	140	80	≥80	19	4000	30Khrs
DL29WD-HR	29	0.95	2650	91	140	80	≥80	19	5700	30Khrs
DL42WW-HR	42	0.95	3400	81	210	80	≥80	19	3000	30Khrs
DL42WC-HR	42	0.95	3650	87	210	80	≥80	19	4000	30Khrs
DL42WD-HR	42	0.95	3900	93	210	80	≥80	19	5700	30Khrs

Technical Specifications	
On / Off Cycles	50,000
Colour Consistency (SDCM)	6
Dimmable	No
Finishing Colour	White
IP	IP20, IP44 for exposed parts
Driver Integrated (Yes/No)	No
Glow Wire Test	650°C
Driver Failure Rate	1% at 5000h
Weight (kg/pc)	0.21 / 0.27 / 0.43 / 0.39 / 0.73 / 0.71 / 1.2

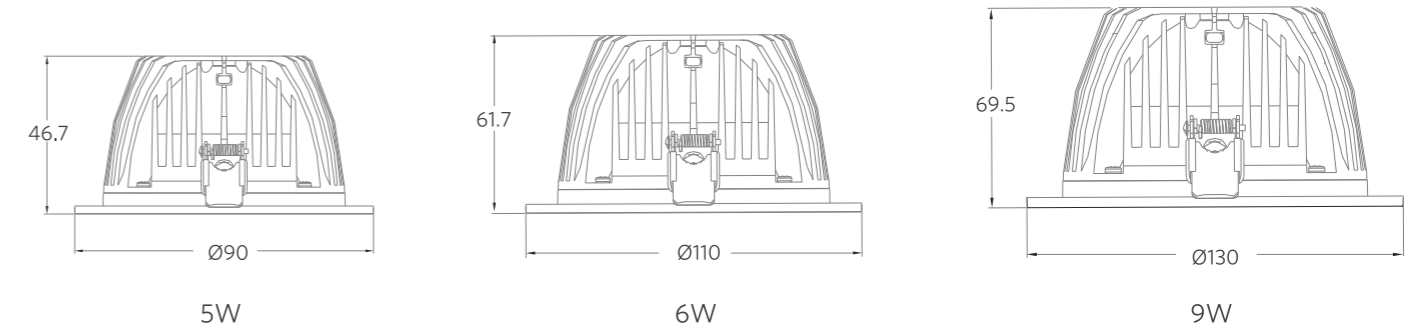
Electrical Supply	
Frequency (Hz)	50/60
Voltage (V)	220-240
AC/DC	AC
Mechanical Properties	
Housing Material	Die-cast Aluminum
Optical Material	Aluminum Coated PC
Application Conditions	
Operating Temperature	-10-40°C
Application Temperature	25°C
Storage Environment	-25-50°C

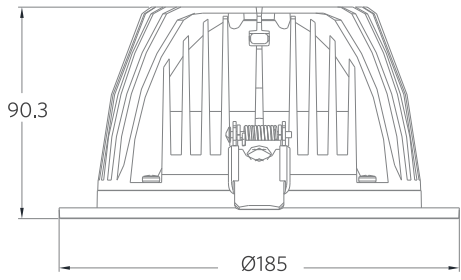


Packaging Information

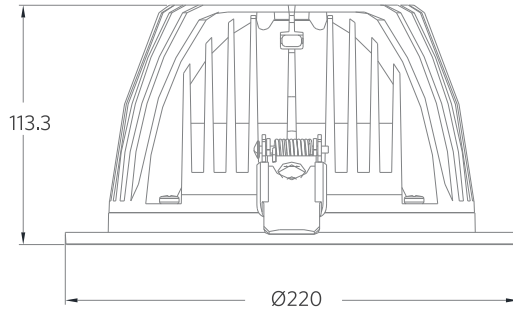
Order Name	Single Box(1pc/box)		Packaging Unit		
	Dimensions(mm) (LxWxH)	Gross Weight (kg)	Dimensions(mm) (LxWxH)	Gross Weight (kg)	Packing Qty (pcs/unit)
DL5WW-HR	128x128x80	0.28	400x270x265	5.09	18
DL5WC-HR	128x128x80	0.28	400x270x265	5.09	18
DL5WD-HR	128x128x80	0.28	400x270x265	5.09	18
DL6WW-HR	150x150x93	0.41	465x315x305	7.42	18
DL6WC-HR	150x150x93	0.41	465x315x305	7.42	18
DL6WD-HR	150x150x93	0.41	465x315x305	7.42	18
DL9WW-HR	150x150x80	0.57	316x316x184	4.56	8
DL9WC-HR	150x150x80	0.57	316x316x184	4.56	8
DL9WD-HR	150x150x80	0.57	316x316x184	4.56	8
DL14WW-HR	210x210x102	1.07	436x436x228	8.56	8
DL14WC-HR	210x210x102	1.07	436x436x228	8.56	8
DL14WD-HR	210x210x102	1.07	436x436x228	8.56	8
DL29WW-HR	250x250x145	1.60	520x267x455	9.60	6
DL29WC-HR	250x250x145	1.60	520x267x455	9.60	6
DL29WD-HR	250x250x145	1.60	520x267x455	9.60	6
DL42WW-HR	250x250x145	1.60	520x267x455	9.60	6
DL42WC-HR	250x250x145	1.60	520x267x455	9.60	6
DL42WD-HR	250x250x145	1.60	520x267x455	9.60	6

Dimensional Drawing



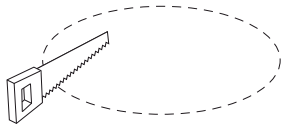


14W



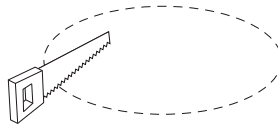
29W/42W

Cut-out Drawing



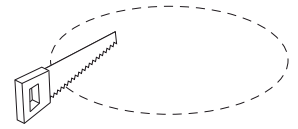
Ø82

5W



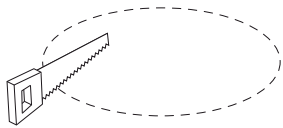
Ø100

6W



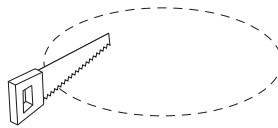
Ø120

9W



Ø175

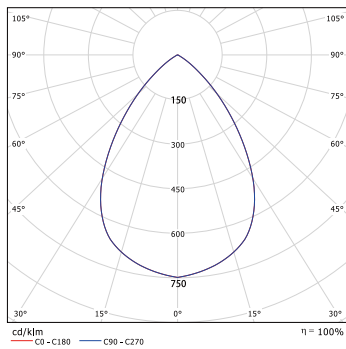
14W



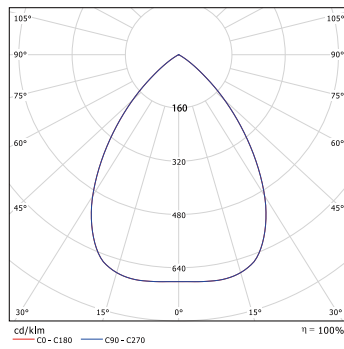
Ø210

29W/42W

Photometric Data



75°(5W/6W/9W)



80°(14W/29W/42W)